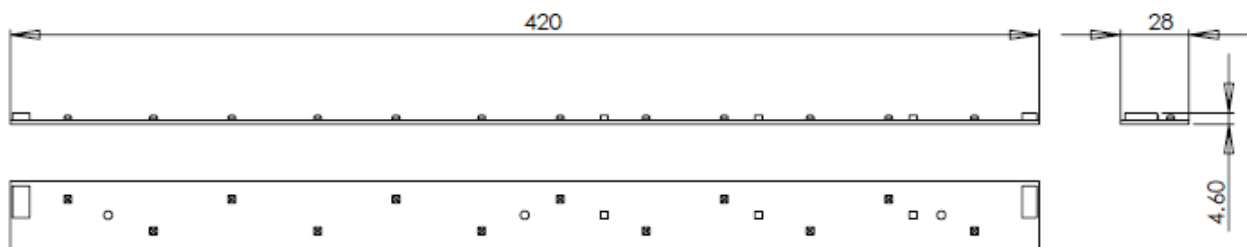




<b>Title:</b>	Led unit/inverter installation and wiring instructions:	<b>Date:</b>	09.11.2016
		<b>Status</b>	Approved
<b>Contact details</b>	<b>CME-Lux Oy, Finland</b> Tel +358 (0)400 733 370 <a href="http://cmelux.fi">cmelux.fi</a> <a href="mailto:info@cmelux.fi">info@cmelux.fi</a>	<b>Contract:</b>	4500390350 / 2016
<b>Approved by:</b>	Janne Myllymäki	<b>Doc No</b> <b>Rev</b>	CME:7000-2016-1 Issue 1 Rev: a

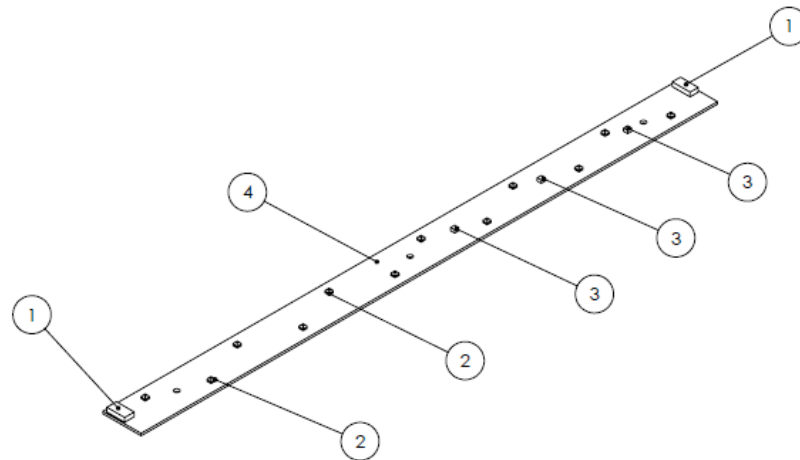
## Led unit installation and wiring instructions:

### LED unit dimensions: -



**e17**

030237



- |                                  |                |
|----------------------------------|----------------|
| 1. Connector                     | 2.LEDs (12pcs) |
| 3. Night light, blue LEDs (3pcs) | 4.PCB          |

### LED unit codes: -

<b>CME Code 810006</b>	LED unit	420mm long	5000k
<b>CME Code 810008</b>	LED unit	420mm long	4000k

This document and any information derived from it are the confidential and copyright property of CME Oy and must not be used for purposes other than those for which it was supplied without our written approval.

Issue 1 Rev: a



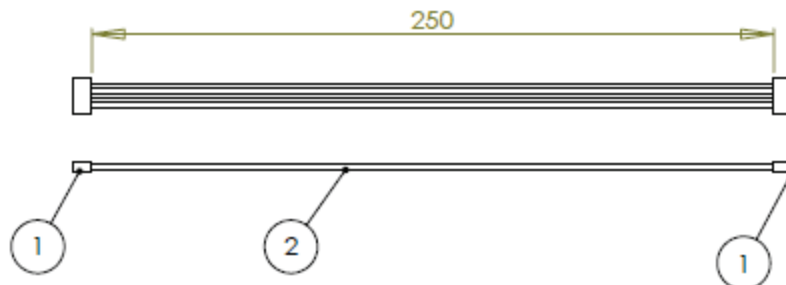
<b>Title:</b>	Led unit/inverter installation and wiring instructions:	<b>Date:</b>	09.11.2016
		<b>Status</b>	Approved
<b>Contact details</b>	<b>CME-Lux Oy, Finland</b> Tel +358 (0)400 733 370 <a href="http://cmelux.fi">cmelux.fi</a> <a href="mailto:info@cmelux.fi">info@cmelux.fi</a>	<b>Contract:</b>	4500390350 / 2016
<b>Approved by:</b>	Janne Myllymäki	<b>Doc No</b> <b>Rev</b>	CME:7000-2016-1 Issue 1 Rev: a

### Technical data, LED unit:-

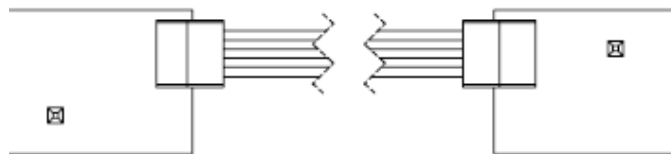
Dimensions	L - 420mm
LEDs	12pcs clear + 3 pcs Blue
Angle and output	120° 4, 5 W – 170Lux @ 1m
Color	4000k or 5000k
Temp range	- 40° ... + 65°C
Weight	28 gram

### Optional:-

An additional wiring harness (2) to connect two LED units together in series comes complete with connectors (1).



### Example



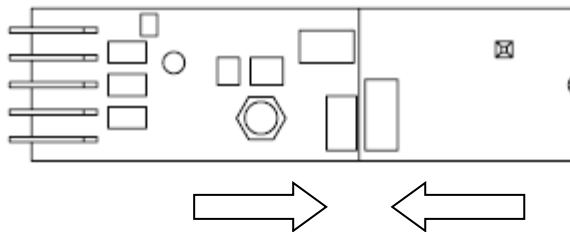
<b>CME code 81090</b>	250mm long cable	2 x connector Erni
-----------------------	------------------	--------------------

### Connection between inverter and LED unit:-

This document and any information derived from it are the confidential and copyright property of CME Oy and must not be used for purposes other than those for which it was supplied without our written approval.

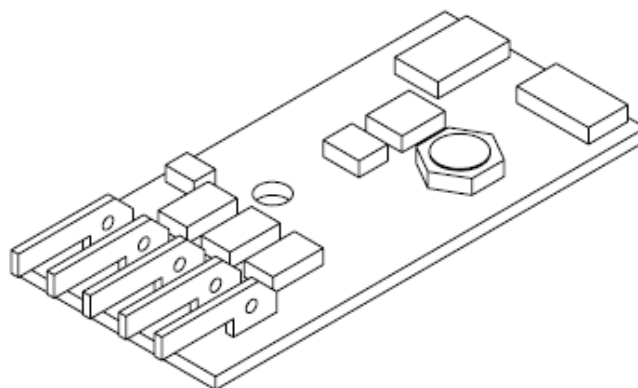


<b>Title:</b>	Led unit/inverter installation and wiring instructions:	<b>Date:</b>	09.11.2016
<b>Contact details</b>	<b>CME-Lux Oy, Finland</b> Tel +358 (0)400 733 370 <a href="http://cmelux.fi">cmelux.fi</a> <a href="mailto:info@cmelux.fi">info@cmelux.fi</a>	<b>Status</b>	Approved
<b>Approved by:</b>	Janne Myllymäki	<b>Contract:</b>	4500390350 / 2016
		<b>Doc No</b> <b>Rev</b>	CME:7000-2016-1 Issue 1 Rev: a



Between inverter and LED units are push fit bayonet connectors, male and female

#### Inverter Dimensions: -

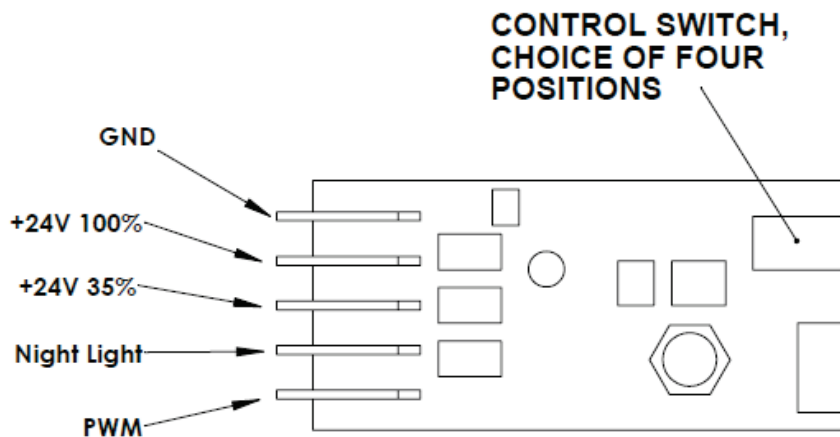


#### Wiring:

This document and any information derived from it are the confidential and copyright property of CME Oy and must not be used for purposes other than those for which it was supplied without our written approval.



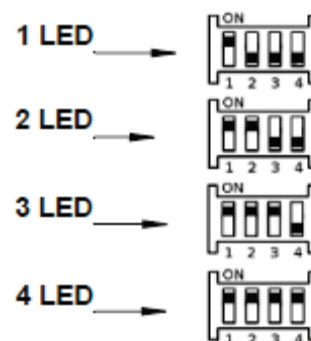
<b>Title:</b>	Led unit/inverter installation and wiring instructions:	<b>Date:</b>	09.11.2016
		<b>Status</b>	Approved
<b>Contact details</b>	<b>CME-Lux Oy, Finland</b> Tel +358 (0)400 733 370 <a href="http://cmelux.fi">cmelux.fi</a> <a href="mailto:info@cmelux.fi">info@cmelux.fi</a>	<b>Contract:</b>	4500390350 / 2016
<b>Approved by:</b>	Janne Myllymäki	<b>Doc No</b> <b>Rev</b>	CME:7000-2016-1 Issue 1 Rev: a



Position, 1 LED unit attached



Control switch positions for 1- 4 LED units



### Inverter Technical data:-

This document and any information derived from it are the confidential and copyright property of CME Oy and must not be used for purposes other than those for which it was supplied without our written approval.

Issue 1 Rev: a



<b>Title:</b>	Led unit/inverter installation and wiring instructions:	<b>Date:</b>	09.11.2016
		<b>Status</b>	Approved
<b>Contact details</b>	<b>CME-Lux Oy, Finland</b> Tel +358 (0)400 733 370 <a href="http://cmelux.fi">cmelux.fi</a> <a href="mailto:info@cmelux.fi">info@cmelux.fi</a>	<b>Contract:</b>	4500390350 / 2016
<b>Approved by:</b>	Janne Myllymäki	<b>Doc No</b> <b>Rev</b>	CME:7000-2016-1 Issue 1 Rev: a

<b>Dimensions</b>	L - 60mm W - 28mm H - 6.6mm
<b>Input voltage nom</b>	12 – 24vdc
<b>Input voltage range</b>	10 – 32vdc
<b>Dimming</b>	35%, 100%, night light, or 0-100% stepless dimming with PWM
<b>Temp range</b>	- 40°...+65°C
<b>Connectors</b>	2.88 AMP
<b>Weight</b>	14 grams
<b>Inverter code</b>	91010

#### **A standard CME lighting kit consists of:-**

Inverters - 1pc + light unit - 2pcs
-------------------------------------

#### **Installation:-**

Products come ready fitted with double sided adhesive tape on the underside of the products. Just gently peel off the protective covering and firmly press into place.

#### **NB:**

It is important to thoroughly clean away all dirt and grease on the lighting gear tray surface, before fixing the lighting modules and inverters into place.

#### **Technical support:**

**CME- Lux Oy, Mr. Janne Myllymäki,**

**+358 (0)400- 733370**

**[janne.myllymaki@cmelux.fi](mailto:janne.myllymaki@cmelux.fi)**